

**1. Features**

- Universal AC input range (180-264VAC)
- Isolated Active Power Factor Correction.
- Protections: SCP、OTP
- Meets most safety standards for lighting
- Warranty: 3 years, Lifetime 30,000 Hrs.
- Narrow Voltage, No Flicker

**2. Input characteristic****2.1 Input Specifications**

Parameter	Min	Type	Max	Note
Input Voltage	180VAC	230V	264VAC	
Input Frequency	47Hz	50/60 Hz	63Hz	
Input Current	-	-	0.03A	180Vac (Full Load)
Leakage Current	-	-	<5mA	230Vac (Full Load)
No-load power consumption	-	-	1W	230Vac (No-load)/ (Digital Power Meter WT310)
Power Factor	-	0.50	-	180Vac (Full Load)
	-	0.65	-	230Vac (Full Load)
	-	0.56	-	264Vac (Full Load)
Inrush Current	-	-	40A	230Vac, Cool start
THD	-	-	<20	180Vac (Full Load)
	-	-	<20	230Vac (Full Load)

**2.2 : The Basic Parameters**

Model	Code	DC Output Voltage	Output Current	Max. Output Power	Efficiency (230Vin) /Load	Power Factor (Load)
						230VAC
LTF-10W-300C	LTF-10W-300C	22-34V	300mA ±5%	10W	82%	0.55

Note: All specifications are typical at 25°C unless otherwise stated;

3. Output characteristic

Parameter	Min	Type	Max	Note
Output Current	290mA	300mA	310mA	Refer to: “ 2.2 The Basic Parameters”
Line Regulation	-	-	±5%	
Load Regulation	-	-	±5%	
Over Shoot	-	-	10%	220Vac (Full Load) numerical value as valid
No-Load Voltage	-	-	<1.2*Vo	220Vac (No- Load)
Output voltage	-	-	-	Refer to: 2.2 The Basic Parameters
Ripple noise	-	≤8%Vo	-	Tested with 20MHz bandwidth oscilloscope, Parallel connected a 0.1uF ceramic capacitor and a 10uF electrolytic capacitor to the output
Start-up Time	-	-	-	180Vac (Full Load)
	-	-	<1s	230Vac (Full Load)
MTBF	-	-	-	(MIL-HDBK-217F) 120Vac (80% Load), 25°C
	-	-	-	(MIL-HDBK-217F) 230Vac (80% Load), 25°C

Note: All specifications are typical at 25°C unless otherwise stated;

4. Protection

Parameter	Note
Open Circuit Protection	If the unit without damage under the open circuit condition, it recovers automatically after fault condition is removed.
Short Circuit Protection	If the unit without damage under the short circuit condition, it recovers automatically after fault condition is removed.

5.Environmental Specifications

Parameter	Min.	Type	Max.	Note
Operating Temperature /humidity	-20 °C	-	+60 °C	20%-95% RH non-condensing
Storage Temperature /humidity	-40 °C	-	+80 °C	10%-95% RH non-condensing
Vibration	-	-	-	10-500Hz,2G 12 minutes/cycle, Period 72 minutes each along X,Y,Z axes

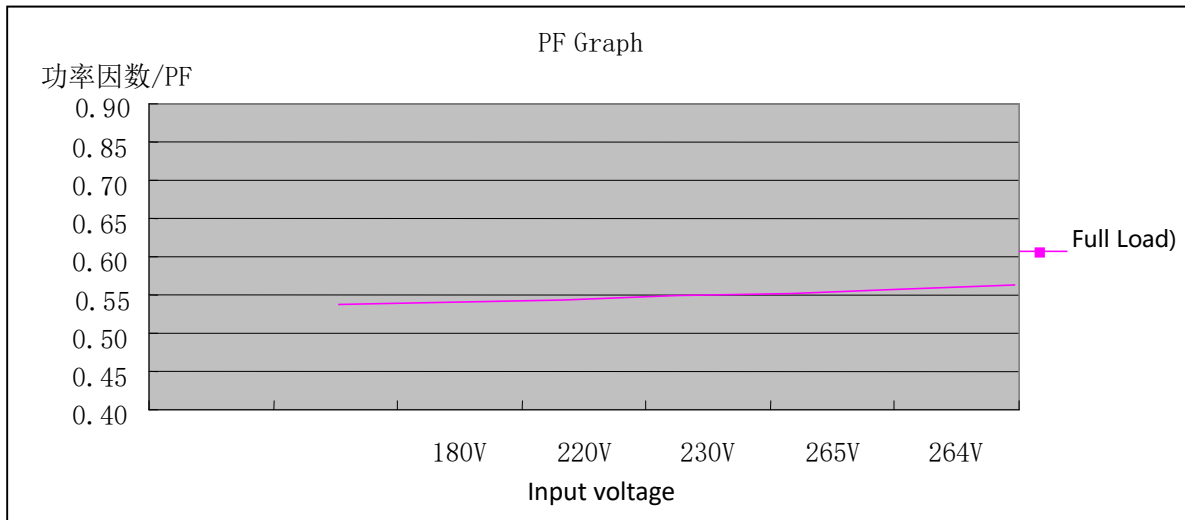
6.Safety Standard

Safety	Safety Standards	CB, SELV, IEC 61347-1
	withstand voltage	Primary secondary $\leq 5\text{mA @ } 3750\text{Vac}; 60\text{ S}$
	Isolation resistance	$\geq 10\text{M } \Omega @ 500\text{VDC}; 60\text{S}$

Note: Since Power supply is used in conjunction with terminal equipment and EMC is subject to the full set of equipment, the EMC of the entire device shall be confirmed

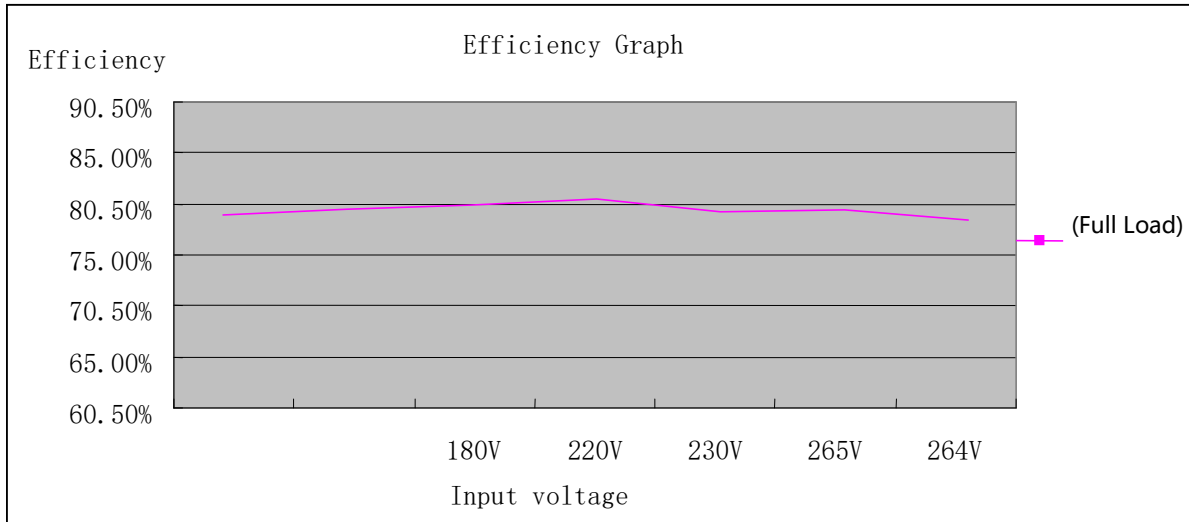
7. Attached Curves

7.1 Power Factor Characteristic



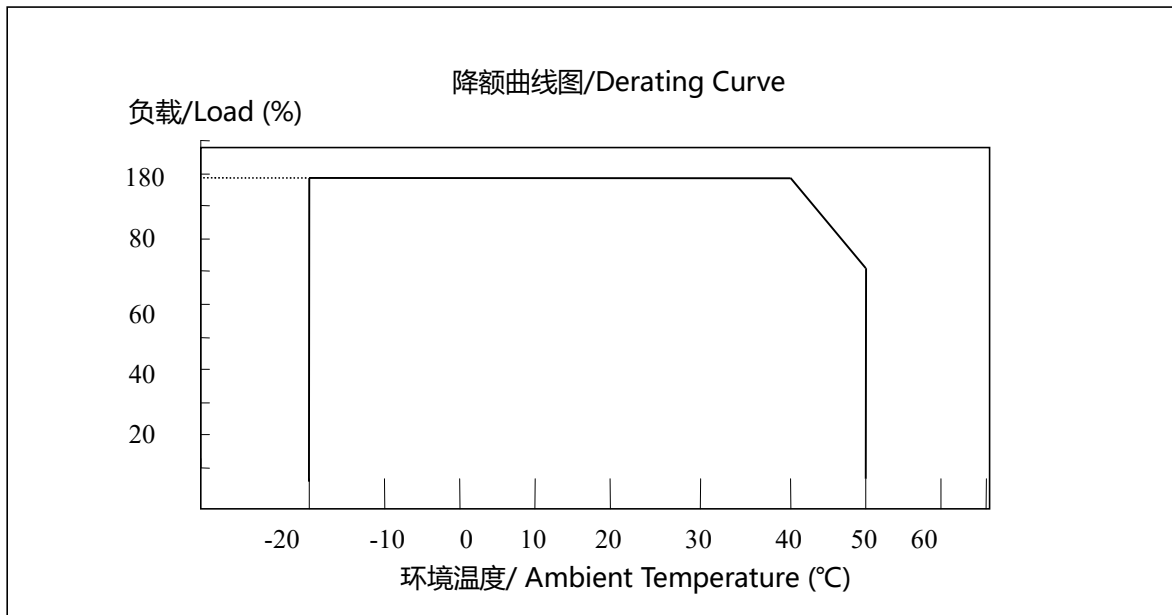
Note: All specifications are typical at 25 ° C unless otherwise stated;

7.2 Efficiency Curve

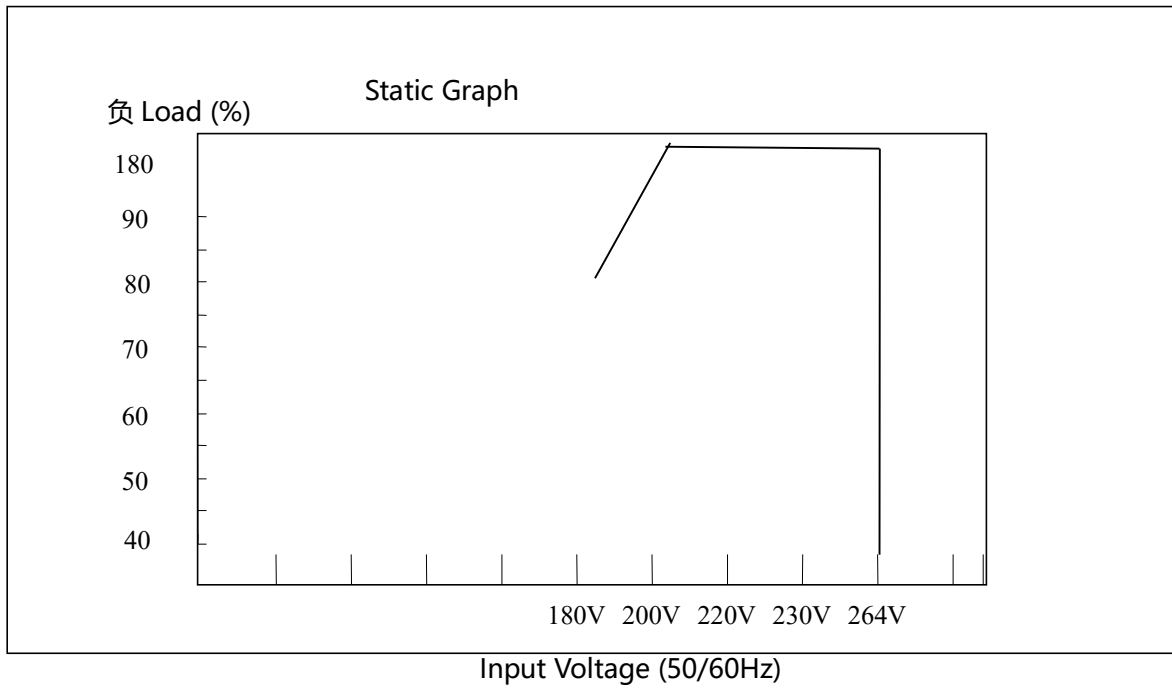


Note: All specifications are typical at 25 ° C with full load unless otherwise stated;

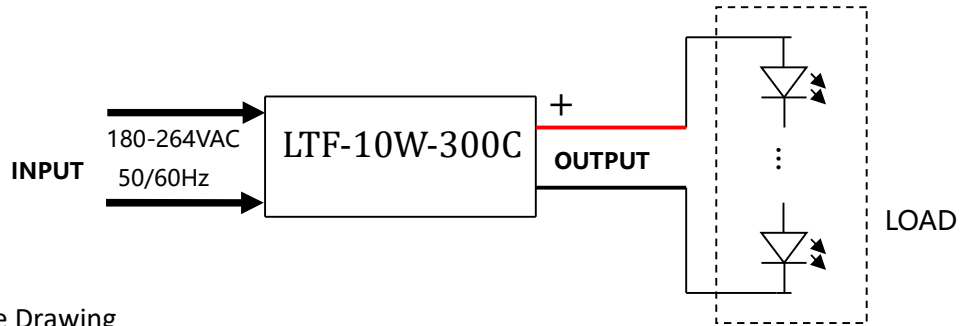
7.3 Derating Curve



7.4 Static Characteristics



8. Wiring Diagram & Test Method:



9. Outline Drawing

9.1 Dimensions

Parameter	Value	Note
L*W*H	43*28*27 mm	unit: mm

9.2 Drawings



10. Packaging

Parameter	Value	Note
Outline Dimension		43*28*27 mm
Packing Qty		220 PCS/CTN
Net Weight	Approximately	0.06Kg/unit
Gross Weight	Approximately	7.6 Kg/CTN